



A BARRY-WEHMILLER COMPANY

## Model 408 & 704 Labeling Machines Burt® Horizontal Roll Through Labeler



### Key Features

- Three types of conveying assure positive control of tin, aluminum, composite, glass, or plastic containers
- Hot melt glue pot controlled by digital thermostat insures correct glue temperature before allowing machine operation
- Maintenance-free hydraulic pump and manifold applies labels accurately and smoothly
- Dual flat belt conveyor for metal cans
- Dual V-belt conveyor for glass and plastic containers
- Single V-belt conveyor for aerosols

# Model 408 & 704 Labeling Machines

## Burt® Horizontal Roll Through Labeler

### PneumaticScaleAngelus Offers the Burt Labeler

PneumaticScaleAngelus now offers the reliable Burt Horizontal Roll-Through Labeler. A standard in the canning industry for more than 100 years, the Burt's rugged durability withstands the rigors of daily production while promoting precise application.

### Reliable Labeling for Round Containers

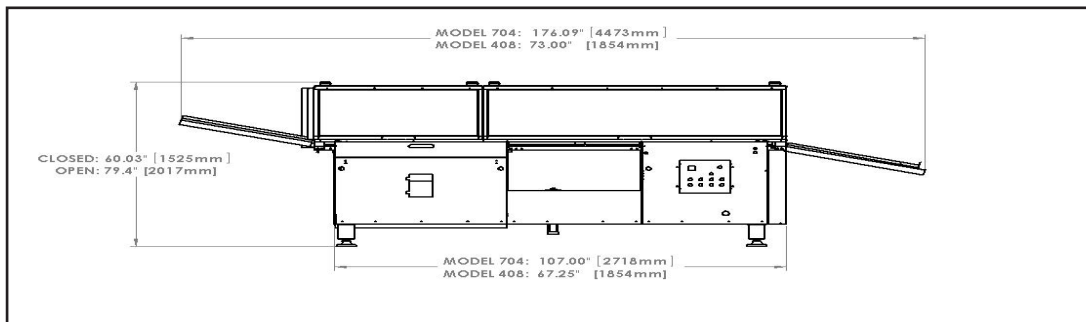
The Burt can apply full-wrap labels to cylindrical containers of virtually any material at speeds up to 800 CPM. A variety of conveying mechanisms and adjustable belt tighteners ensure positive container control. Additionally, the machine can utilize a broad range of labeling materials including papers, foils, plastics and laminates for maximum flexibility.

### Precise, Clean Application

The Burt promotes excellent label control by employing a unique hydraulic feed system, which smoothly and accurately positions labels. An optional second feed allows label loading while running. Also, the Burt offers positive label pickup without glue slinging for a neat appearance.

### Quick Changeover

Changeovers are quick and easy, performed with a single wrench. Container changeovers can be completed in 15 minutes!



USA | AUSTRALIA | BELGIUM | CANADA | HONG KONG | UNITED KINGDOM



A BARRY-WEHMILLER COMPANY

4485 ALLEN ROAD | STOW, OH 44224 | +1 (330) 923-0491  
WWW.PNEUMATICSCALEANGELUS.COM | SALES@PSANGELUS.COM